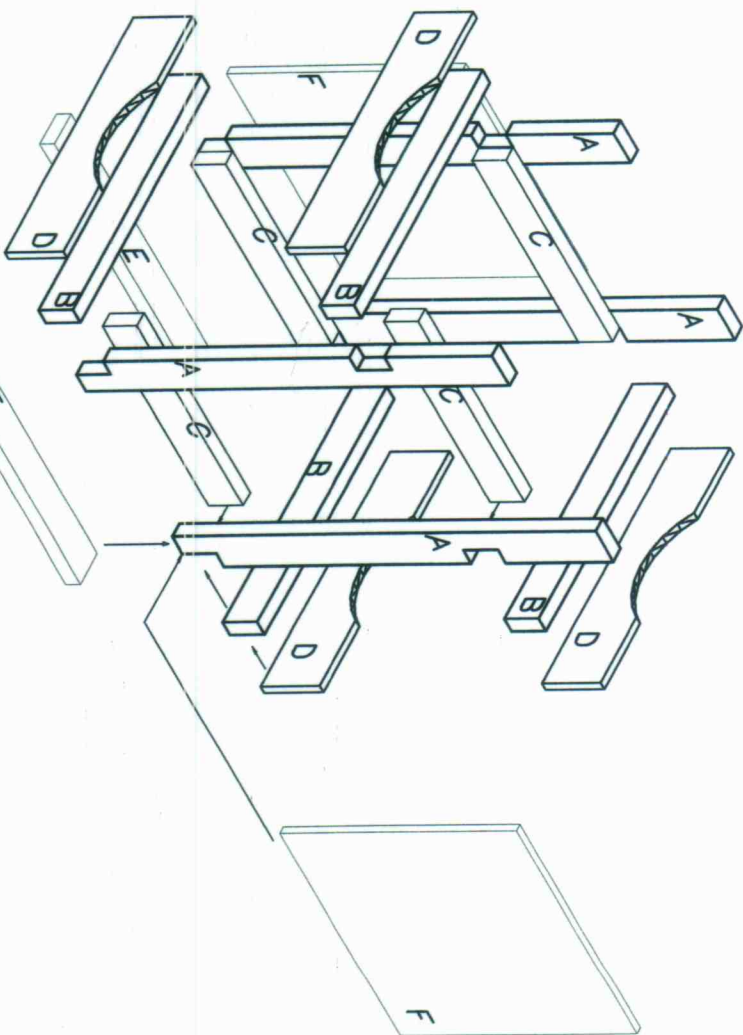
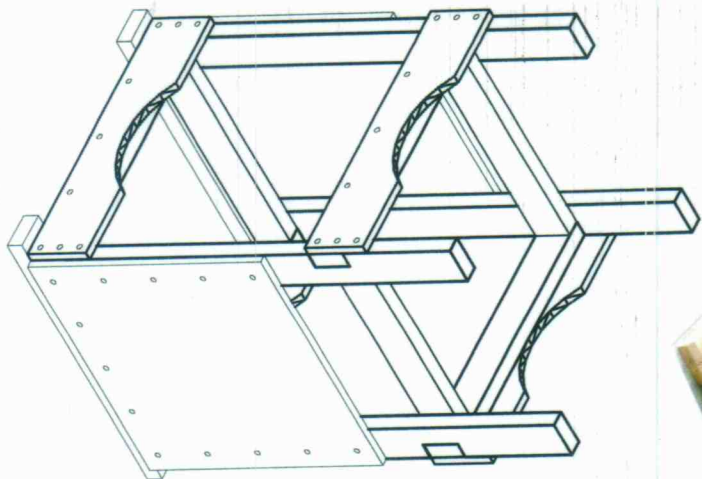


# RACK FOR TWO WATER BARRELS



**AFTERTHOUGHT:** We have learned, by experience, that you can eliminate the boards labeled "C" and replace them with the plywood sides labeled "F". "F" probably should be high enough to reach from the bottom horizontal to the top one. (Your choice)

Also the boards labeled "E" are not essential. They were intended mainly as drags for moving the rack about. Once you get water in the barrels you won't be moving them. If you eliminate the boards "E" you will probably want to raise the notches so the barrels are not so close to the floor.

1. Cut the notches in the upright boards labeled "A".
2. Assemble the B's to the A's.
3. Assemble the D's over the B's. See drawing at left.
4. Now you have the front and the back of the rack.
5. Assemble the front and back using the C's.
6. Add the skids, E, to the bottom
7. Put the F boards in place (A fifty five gallon drum of water weighs about 500 pounds so this rack must be quite sturdy.)
8. Use 2 1/2 inch decking screws.
9. For fastening the 3/4 inch plywood you will want to use shorter screws.

